

Conveyor Guide Company Limited

Back Stop CGN Series & Dimensions

Website : www.conveyorguide.co.th

Email : banyad@conveyorguide.co.th

Tel. : 02-992-1025

Fax. : 02-992-1025

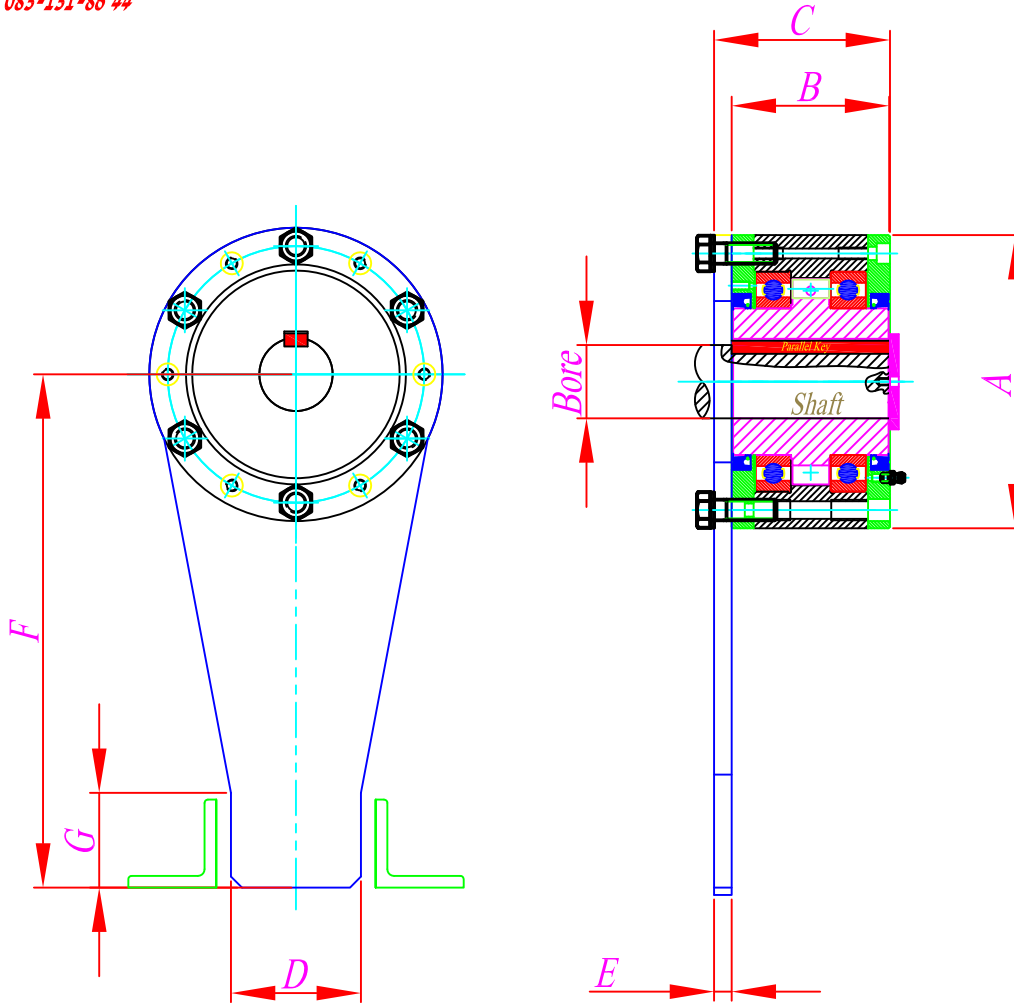
Contact Add : Phaholyothin 79 Rd. 600/1176 M.14

T.Kukot A .Lumlukka Pathumthani 12130 Thailand

Contact Person : Banyad Jaiman (บัญญัติ ใจมั่น)

E-Mail : banyad@conveyorguide.co.th

Mobile : 083-131-86 44



$$\text{Torque of Back Stop (N.m)} = \frac{\text{Motor Name Plate (Kw)} \times 9550 \times SF}{\text{Shaft Rotation (RPM.)}} \rightarrow \text{METRIC}$$

$$\text{Torque of Back Stop (N.m)} = \frac{\text{Motor Name Plate (Hp)} \times 7118 \times SF}{\text{Shaft Rotation (RPM.)}} \rightarrow \text{ENGLISH}$$

SF	3 Times a Day Below	1.5
	3 Times a Day Above	2

CGN Series Back Stop the Main Technical Parameter												
CGN Type	Technical Specification					Dimension						
	Max.Torque (N.m.)	Max.Bore (mm.)	Max.Speed (RPM.)	Idling Moment (N.m.)	Max.Weigth (kg.)	A	B	C	D	E	F	G
CGN 16	1600	65	150	4	13	160	85	93	50	8	226	30
CGN 25	2500	75	150	5	15	170	85	93	65	8	269	35
CGN 60	6000	85	150	8	30	210	110	120	95	10	329	45
CGN 80	8000	95	150	10	36	230	110	120	105	10	382	55
CGN 110	11000	110	150	15	49	270	110	122	110	12	425	60
CGN 160	16000	130	100	20	82	320	130	142	120	12	506	65
CGN 250	25000	160	100	35	112	360	140	156	120	16	612	65
CGN 380	38000	200	100	45	183	430	160	176	130	16	623	70
CGN 500	50000	220	80	75	355	500	230	255	240	25	820	80