

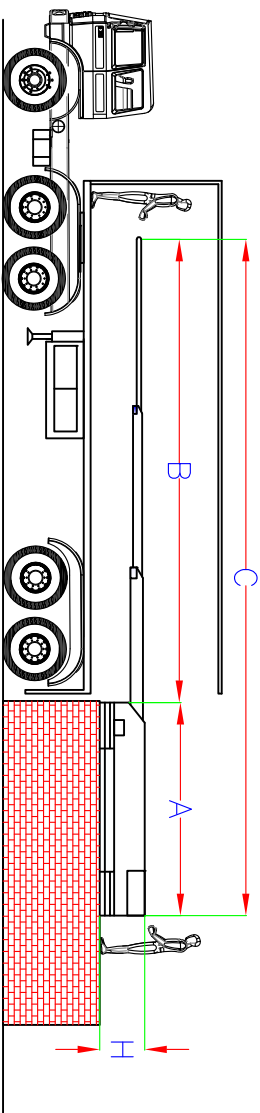
Conveyor Guide Company Limited

Telescopic Belt Series & Dimensions

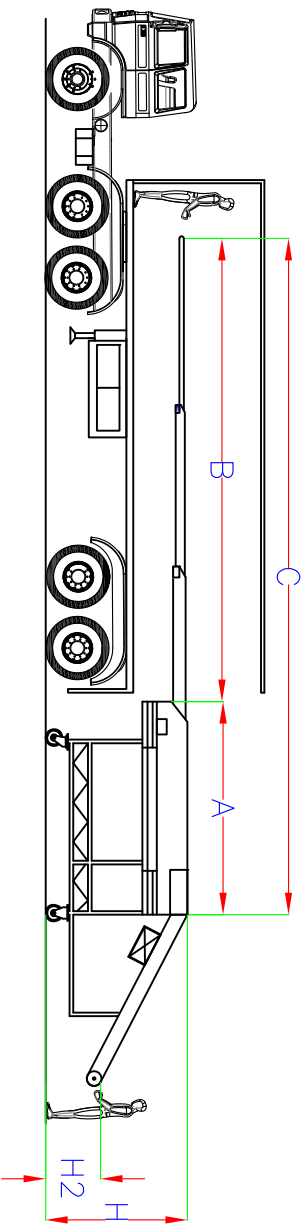
Contact Person : Banyad Jaiman (ប័ណ្ណស្តីទាក់ទង)
 E-Mail : banyad@conveyorguide.co.th
 Mobile: 083-131-8644

Website : www.conveyorguide.co.th
 Email : banyad@conveyorguide.co.th
 Tel. : 02-992-1025
 Fax. : 02-992-1025
 Contact Add : Phaholyothin 79 Rd. 600/1176 M.14
 T. Kukul A. Lumlukka Pathumthani 12130 Thailand

Working Ground Type



Supporting Feet Type



No. Container Type	Model		Section Qty (Unit)	A (m.)	B (m.)	C (m.)	H (m.)	H1 (m.)	H2 (m.)	Belt Width (mm.)	Speed (m/sec.)
	Working Ground Type	Supporting Feet Type									
1 20' Container	CG 20	CG 20S	3	6.5	6	12.5	0.70	1.4-1.8	0.70	600	0 - 0.50
2 40' Container	CG 40	CG 40S	4	6.5	10.5	17	0.75	1.4-1.8	0.70	600	0 - 0.50