

CONVEYOR GUIDE CO.,LTD.

บริษัท คอนเวเยอร์ ไกด์ จำกัด

HS-100B Technical Data Sheet

www.conveyorguide.co.th

| | |
|---|--|
| Pitch: 50.8mm Minimum Width: 150mm Open Area: 20% Approved: FDA Rod: Ø 6mm Flight: Yes Side Guard: Yes Curve: No | |
|---|--|

Data

| Belt Material | Belt Strength | | | Temperature | | Belt Weight (Kg/M ²) |
|---------------|---------------|---------|-------|-------------|-----------|-------------------------------------|
| | Straight | | Curve | °C (min.) | °C (max.) | |
| | Kg/M(BW) | N/M(BW) | | | | |
| Polypropylene | 1340 | 13400 | -- | 1 | 100 | 7.5 |
| Polyethylene | 1280 | 12800 | -- | -60 | 60 | 8.7 |
| Acetal | 1770 | 17700 | -- | -40 | 80 | 10.2 |
| Nylon | 1520 | 15200 | -- | 1 | 180 | 9.6 |

BW – Belt Width

Color Table

| Polypropylene | | | | | Polyethylene | | | | | Acetal | | | | | Nylon | | | | |
|---------------|---|---|----|---|--------------|---|---|----|---|--------|---|---|----|---|-------|---|---|----|---|
| W | G | N | DB | B | W | G | N | DB | B | W | G | N | DB | B | W | G | N | DB | B |
| ● | ● | | | | | | ● | | | ● | | | | ● | | | | ● | |

W-White, G-Gray, N-Nature, DB-Dark brown, B-Blue

Friction Table

| Belt Material | Friction Wear strips & Products | | | | | | | |
|---------------|---------------------------------|------|-------|-------|------|---------|-----------|----------|
| | UHMW | HDPE | Steel | Glass | SUS | Plastic | Cardboard | Aluminum |
| Polypropylene | 0.32 | 0.24 | 0.15 | 0.09 | 0.13 | 0.08 | 0.15 | 0.25 |
| Polyethylene | 0.13 | 0.11 | 0.26 | 0.19 | 0.31 | 0.16 | 0.21 | 0.41 |
| Acetal | 0.11 | 0.09 | 0.27 | 0.16 | 0.26 | 0.15 | 0.19 | 0.28 |
| Nylon | 0.18 | 0.13 | 0.25 | 0.16 | 0.26 | 0.16 | 0.19 | 0.27 |

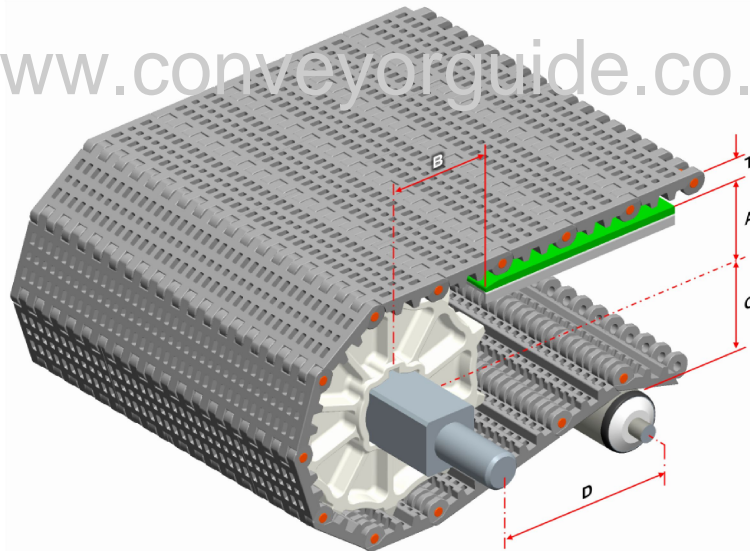
SUS – Stainless Steel

Equivalent type with other Brand

| Brand Name | Intralox | UNI | Rexnord | MCC | Habasit | KVP |
|---------------|----------|-------|---------|------|---------|-----|
| Series & Type | 200 | OPB | 6390 | 2000 | H5000 | 620 |
| | 800 | L-SNB | 2010 | | M5100 | |
| | 850 | MPB | 2000 | | | |

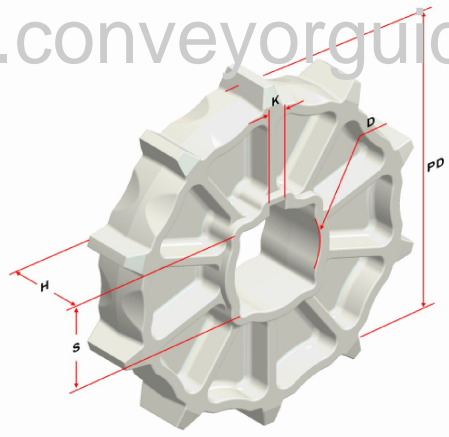
The above content is only for reference.

www.conveyorguide.co.th



| Conveyor Frame Dimensions | | | | | Unit : mm |
|---------------------------|-----------|-----------|-----------|-----------|-----------|
| No. Teeth | A (Min.) | B (Min.) | C (Max.) | D (Min.) | T |
| 8 | 57 | 65 | 70 | 250 | 16 |
| 10 | 72 | 82 | 86 | 250 | |
| 12 | 88 | 100 | 103 | 300 | |
| 16 | 121 | 132 | 136 | 300 | |

www.conveyorguide.co.th



| Sprocket Dimensions | | | | | Unit: mm |
|---------------------|-----|-----------|------|----|----------|
| No. Teeth | PD | S | D | H | K |
| 8 | 133 | 38.5/40.5 | 45.5 | 37 | 7X7 |
| 10 | 164 | 38.5/40.5 | 45.5 | 35 | 8X8 |
| 12 | 196 | 38.5/40.5 | 45.5 | 37 | 8X8 |
| 16 | 260 | 60.5 | -- | 46 | 7X7 |