



บริษัท คอนเวเยอร์ไกด์ จำกัด  
**CONVEYOR GUIDE CO.,LTD.**

[www.conveyorguide.co.th](http://www.conveyorguide.co.th)

อยากรู้เรื่องเงินปรึกษาธนาคาร อยากรู้เรื่องสายพานปรึกษาเรา

บอกทุกเรื่องที่คุณอื่นไม่ยอมให้คุณรู้

HOT LINE : 090-907-6077 , 02-992-1025

## HS-300B Technical Data Sheet





Pitch: 45mm Minimum Width: 195mm Open Area: 52% Approved: FDA Rod: Ø 6mm Flight: No Side Guard: No Curve: Yes	
--	--

[www.conveyorguide.co.th](http://www.conveyorguide.co.th)

#### Data

Belt Material	Belt Strength				Temperature		Belt Weight (Kg/M <sup>2</sup> )
	Straight		Curve		°C (min.)	°C (max.)	
	Kg/M(BW)	N/M(BW)	Kg/M(BW)	N/M(BW)			
Polypropylene	1870	18700	142	1420	1	100	6.0
Polyethylene	1330	13300	82	820	-60	60	6.8
Acetal	2900	29000	142	1420	-40	80	8.7
Nylon	1870	18700	82	820	1	180	8.6

**BW – Belt Width**

#### Color Table

Polypropylene					Polyethylene					Acetal					Nylon				
W	G	N	DB	B	W	G	N	DB	B	W	G	N	DB	B	W	G	N	DB	B
●	●						●			●				●					●

W-White, G-Gray, N-Nature, DB-Dark brown, B-Blue

#### Friction Table

Belt Material	Friction Wear strips & Products							
	UHMW	HDPE	Steel	Glass	SUS	Plastic	Cardboard	Aluminum
Polypropylene	0.32	0.24	0.15	0.09	0.13	0.08	0.15	0.25
Polyethylene	0.13	0.11	0.26	0.19	0.31	0.16	0.21	0.41
Acetal	0.11	0.09	0.27	0.16	0.26	0.15	0.19	0.28
Nylon	0.18	0.13	0.25	0.16	0.26	0.16	0.19	0.27

SUS – Stainless Steel

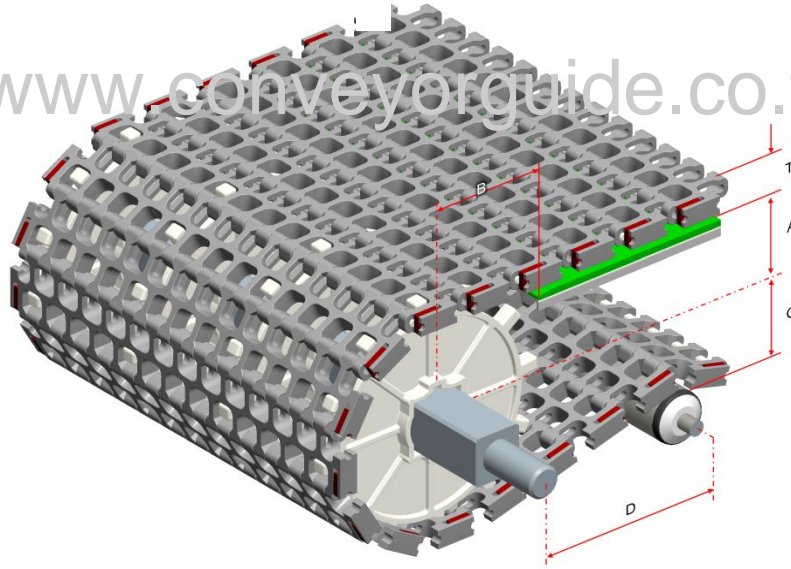
#### Equivalent type with other Brand

Brand Name	Intralox	UNI	Rexnord	MCC	Habasit	KVP
Series & Type	2200					

The above content is only for reference.

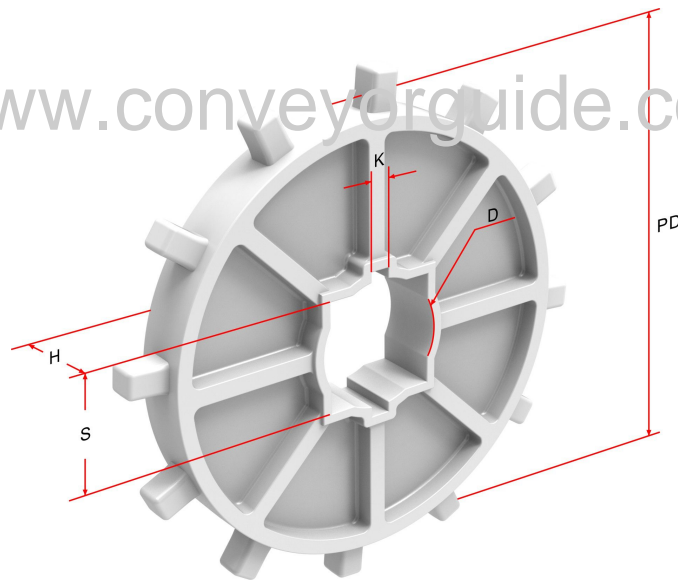


[www.conveyorguide.co.th](http://www.conveyorguide.co.th)



Conveyor Frame Dimensions					Unit : mm
No. Teeth	A ( Min.)	B ( Min.)	C ( Max.)	D ( Min.)	T
8	51	62	63	300	15
12	80	82	94	300	

[www.conveyorguide.co.th](http://www.conveyorguide.co.th)

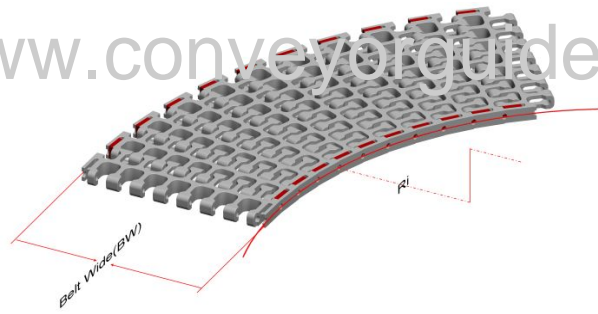


Sprocket Dimensions					Unit: mm
No. Teeth	PD	S	D	H	K
8	120	40.5	45.5	12	6X6
12	185	40.5	45.5	24	6X6



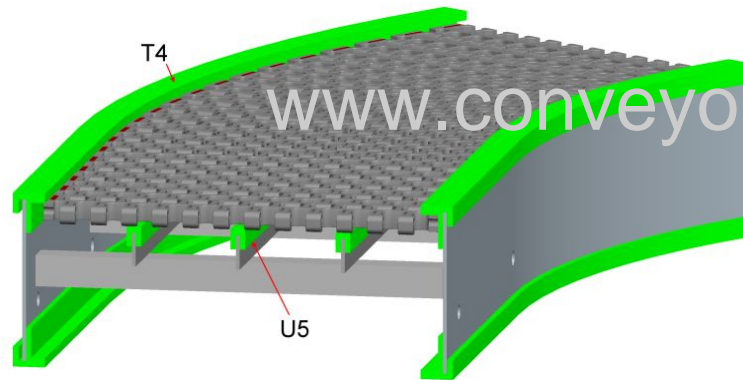
### Design Guide Summary

[www.conveyorguide.co.th](http://www.conveyorguide.co.th)



- The minimum turning radius (inside) is 2.2 times of belt width under all feasible belt Width, 2.5 times of belt width is the most optimal.
- The minimum straight run section near driving shaft and idling shaft of Radius belt must be 2 times of the belt width in length.
- The minimum straight run section between two turns of opposing direction must be 2 times of the belt width in Length.

### Guide Rail & Wear Strips



- We have different kinds of guide rail and wear strips for your choice; for more information, please consult our sales team.