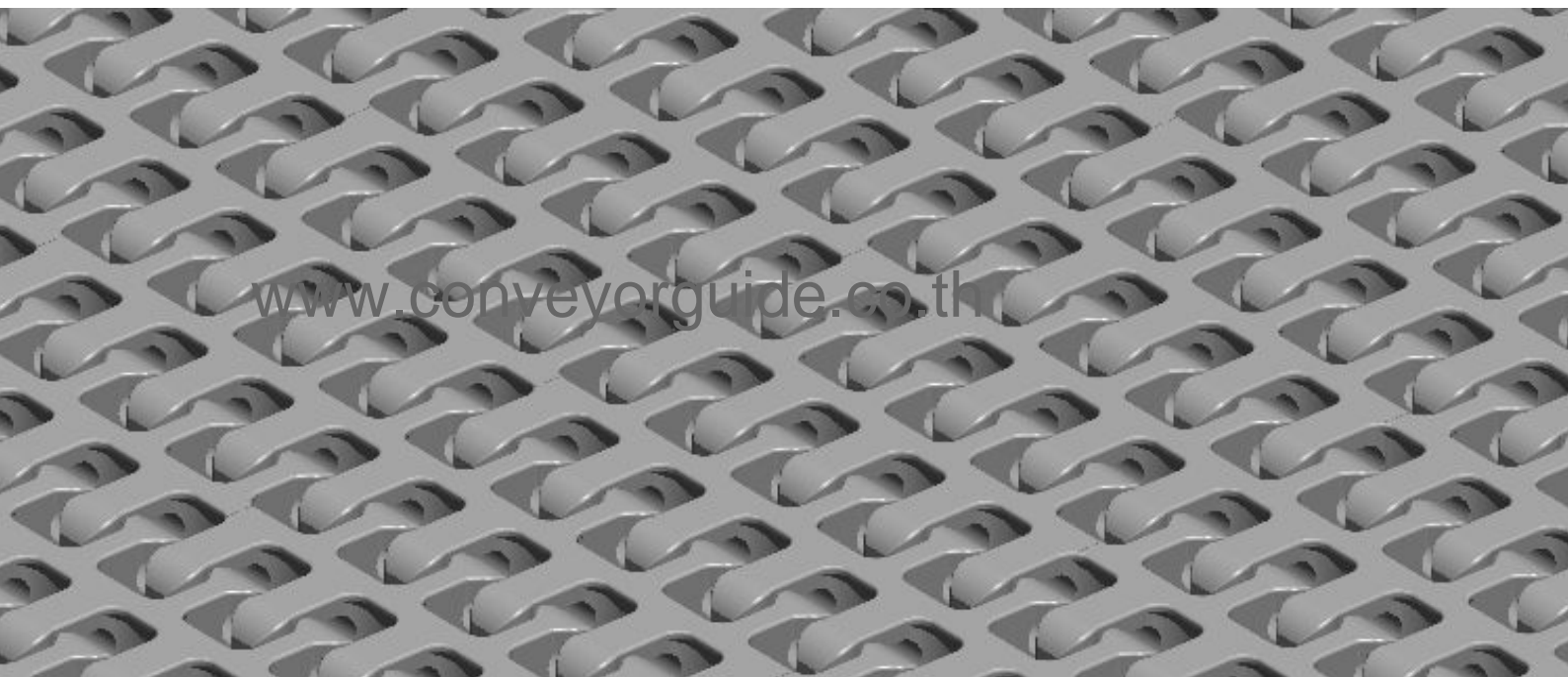




HS-500B Technical Data Sheet



Pitch: 25mm Minimum Width: 165mm Open Area: 36% Approved: FDA Rod: Ø 5mm Flight: No Side Guard: Yes Curve: Yes	
---	--

Data

Belt Material	Belt Strength				Temperature		Belt Weight (Kg/M ²)
	Straight		Curve		°C (min.)	°C (max.)	
	Kg/M(BW)	N/M(BW)	Kg/M(BW)	N/M(BW)			
Polypropylene	1060	10600	676	6760	1	100	5.0
Polyethylene	1030	10300	476	4760	-60	60	5.2
Acetal	1720	17200	865	8650	-40	80	9.6
Nylon	1520	15200	672	6720	1	180	7.0

BW – Belt Width

Color Table

Polypropylene					Polyethylene					Acetal					Nylon				
W	G	N	DB	B	W	G	N	DB	B	W	G	N	DB	B	W	G	N	DB	B
●	●						●			●				●				●	

W-White, G-Gray, N-Nature, DB-Dark brown, B-Blue

Friction Table

Belt Material	Friction Wear strips & Products							
	UHMW	HDPE	Steel	Glass	SUS	Plastic	Cardboard	Aluminum
Polypropylene	0.32	0.24	0.15	0.09	0.13	0.08	0.15	0.25
Polyethylene	0.13	0.11	0.26	0.19	0.31	0.16	0.21	0.41
Acetal	0.11	0.09	0.27	0.16	0.26	0.15	0.19	0.28
Nylon	0.18	0.13	0.25	0.16	0.26	0.16	0.19	0.27

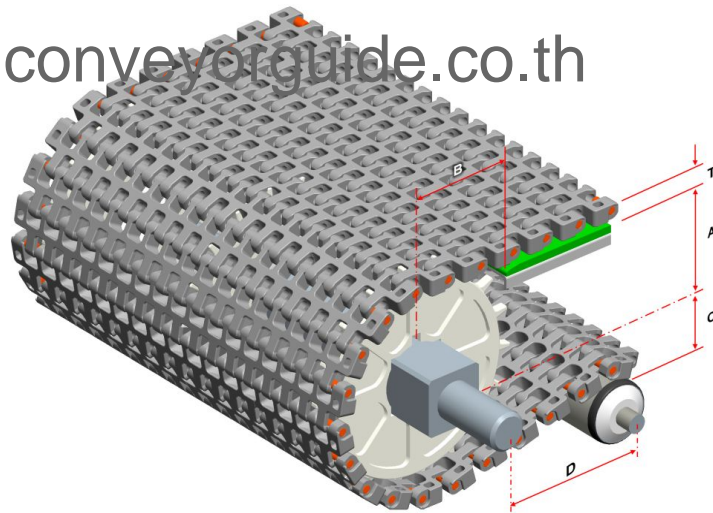
SUS – Stainless Steel

Equivalent type with other Brand

Brand Name	Intralox	UNI	Rexnord	MCC	Habasit	KVP
Series & Type	2200	SNB	1200		M2500	610
	2400		7956		M3800	

The above content is only for reference.

www.conveyorguide.co.th



Conveyor Frame Dimensions					Unit : mm
No. Teeth	A (Min.)	B (Min.)	C (Max.)	D (Min.)	T
12	41	52	53	250	11
18	74	60	79	250	
24	89	100	102	300	

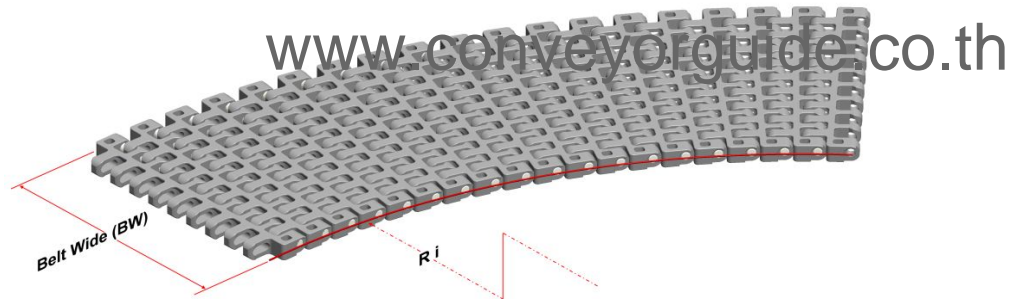
www.conveyorguide.co.th



www.conveyorguide.co.th

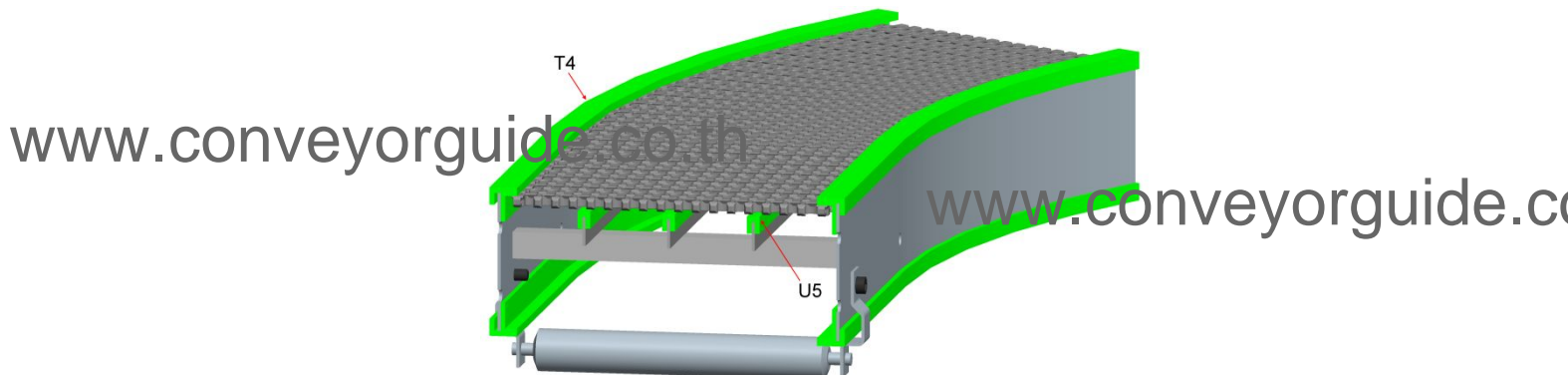
Sprocket Dimensions						Unit: mm
No. Teeth	PD	S	D	H1	H2	K
12	93	38.5	45.5	10.5	-	7X7
18	145	38.5	45.5	10.5	-	7X7
24	190	60	-	30	-	7X7
12-2R	93	40.5	45.5	-	20	8x8
15-2R	120	40.5	45.5	-	20	8x8
18-2R	145	40.5	45.5	-	20	8x8
24-2R	190	60	-	-	35	8x8

Design Guide Summary



- The minimum turning radius (inside) is 2.2 times of belt width under all feasible belt Width, 2.5 times of belt width is the most optimal.
- The minimum straight run section near driving shaft and idling shaft of Radius belt must be 2 times of the belt width in length.
- The minimum straight run section between two turns of opposing direction must be 2 times of the belt width in Length.

Guide Rail & Wear Strips



- We have different kinds of guide rail and wear strips for your choice; for more information, please consult our sales team.