

**CONVEYOR GUIDE CO.,LTD.**

**บริษัท คอนเวเยอร์ ไกด์ จำกัด**

**HS-700 B Technical Data Sheet**

[www.conveyorguide.co.th](http://www.conveyorguide.co.th)

Pitch: 27.2mm Minimum Width: 208mm Open Area: 38% Approved: FDA Rod: Ø 5mm Flight: Yes Side Guard: Yes Curve: No	
---	--

**Data**

Belt Material	Belt Strength Kg/M (BW)		Temperature		Belt Weight (Kg/M <sup>2</sup> )
	Straight	Curve	°C (min.)	°C (max.)	
Polypropylene	1320	--	1	100	4.0
Polyethylene	1060	--	-60	60	4.8
Acetal	1880	--	-40	80	6.2
Nylon	1610	--	1	180	5.7

BW – Belt Width

**Color Table**

Polypropylene					Polyethylene					Acetal					Nylon				
W	G	N	DB	B	W	G	N	DB	B	W	G	N	DB	B	W	G	N	DB	B
●	●			●															

W-White, G-Gray, N-Nature, DB-Dark brown, B-Blue

**Friction Table**

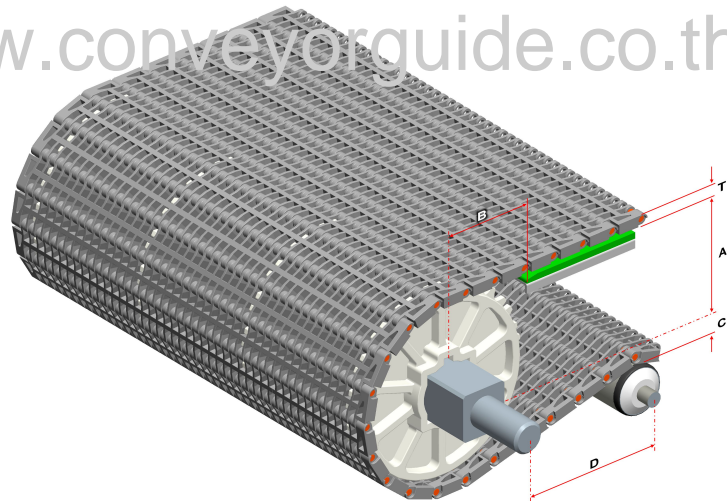
Belt Material	Friction Wear strips & Products							
	UHMW	HDPE	Steel	Glass	SUS	Plastic	Cardboard	Aluminum
Polypropylene	0.32	0.24	0.15	0.09	0.13	0.08	0.15	0.25
Polyethylene	0.13	0.11	0.26	0.19	0.31	0.16	0.21	0.41
Acetal	0.11	0.09	0.27	0.16	0.26	0.15	0.19	0.28
Nylon	0.18	0.13	0.25	0.16	0.26	0.16	0.19	0.27

SUS – Stainless Steel

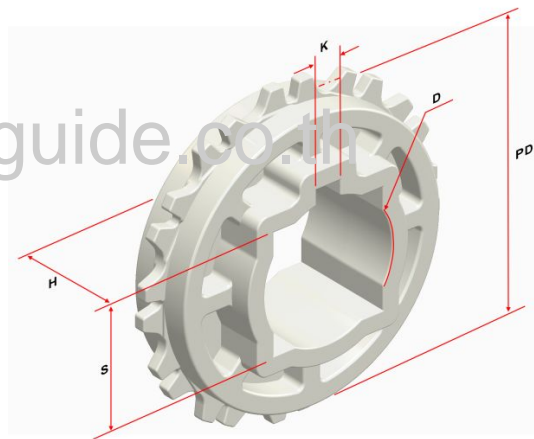
**Equivalent type with other Brand**

Brand Name	Intralox	UNI	Rexnord	MCC	Easecon	Habasit	KVP	Regina
Series & Type	900	SNB	1005	1000	501	M2400	610	1210
	1600	CNB	1010		502	M2500	208	1310
	200	OPB	7700			M2600		1500
	800		6390					1600

The above content is only for reference.



Conveyor Frame Dimensions					Unit : mm
No. Teeth	A ( Min.)	B ( Min.)	C ( Max.)	D ( Min.)	T
12	47	45	56	250	8.7
18	74	56	82	250	
24	100	72	107	320	



Sprocket Dimensions					Unit: mm
No. Teeth	PD	S	D	H	K
12	104	38.5	45.5	35	8X8
18	155	38.5	45.5	35	8X8
24	208	38.5	45.5	35	8X8