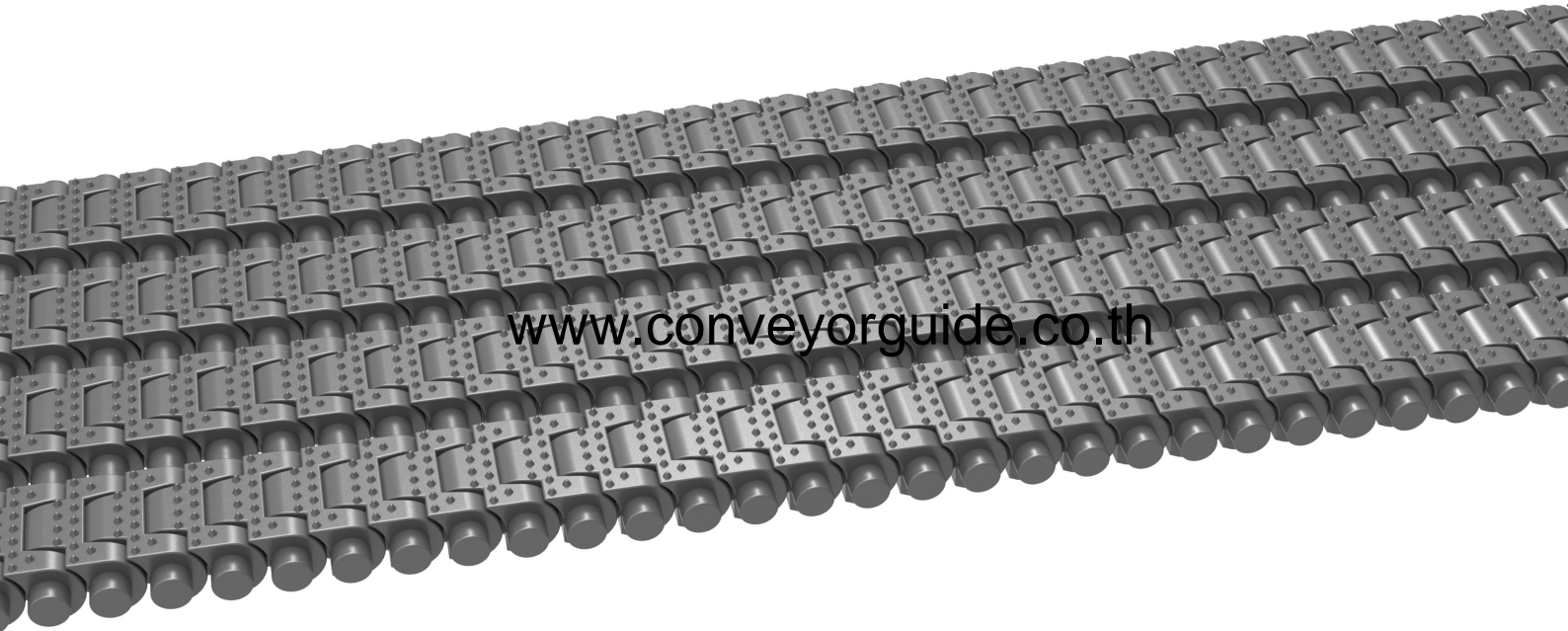



CONVEYOR GUIDE CO.,LTD.

บริษัท คอนเวเยอร์ ไกด์ จำกัด

HS-4000B Technical Data Sheet



www.conveyorguide.co.th

Pitch: 5.0mm Minimum Width: 60mm Open Area: 8% Approved: FDA Rod: Not Flight: No Side Guard: No Curve: No	 <p>www.conveyorguide.co.th</p>
--	--

Data

Belt Material	Belt Strength			Temperature		Belt Weight (Kg/M ²)
	Straight		Curve	°C (min.)	°C (max.)	
	Kg/M(BW)	N/M(BW)				
Acetal	250	2500	--	-40	80	5.0

BW – Belt Width

Color Table

Polypropylene					Polyethylene					Acetal					Nylon				
W	G	N	DB	B	W	G	N	DB	B	W	G	N	DB	B	W	G	N	DB	B

W-White, G-Gray, N-Nature, DB-Dark brown, B-Blue

Friction Table

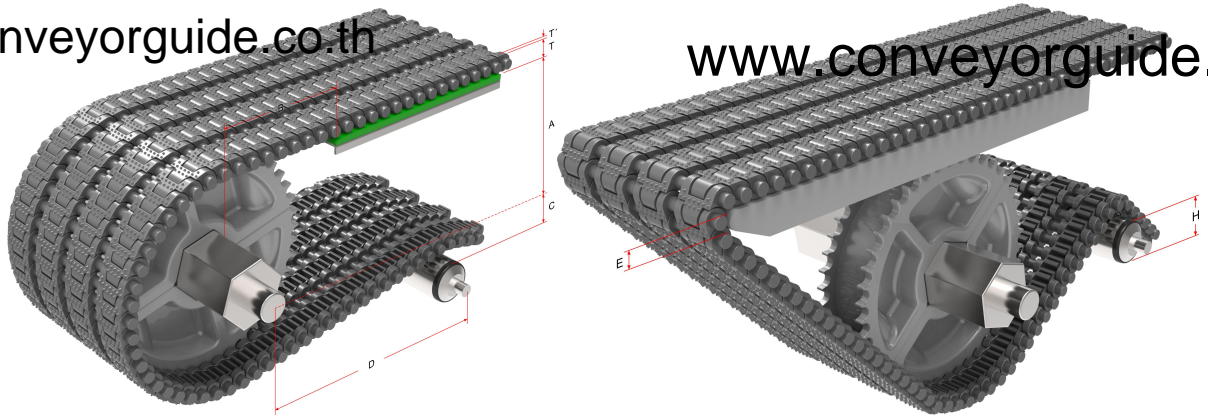
Belt Material	Friction Wear strips & Products							
	UHMW	HDPE	Steel	Glass	SUS	Plastic	Cardboard	Aluminum
Polypropylene	0.32	0.24	0.15	0.09	0.13	0.08	0.15	0.25
Polyethylene	0.13	0.11	0.26	0.19	0.31	0.16	0.21	0.41
Acetal	0.11	0.09	0.27	0.16	0.26	0.15	0.19	0.28
Nylon	0.18	0.13	0.25	0.16	0.26	0.16	0.19	0.27

SUS – Stainless Steel

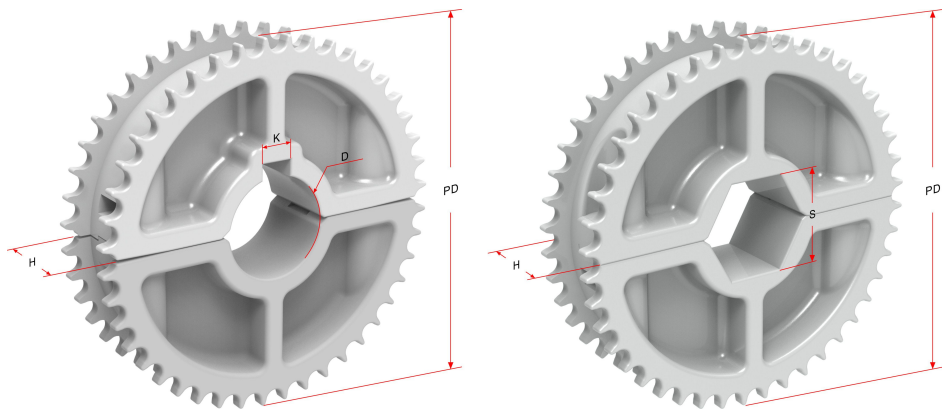
Equivalent type with other Brand

Brand Name	Intralox	UNI	Rexnord	MCC	Habasit	KVP
Series & Type						

The above content is only for reference.



Conveyor Frame Dimensions								nit : mm	
No. Teeth	A (Min.)	B (Min.)	C (Max.)	D (Min.)	E (Min.)	H (Min.)	T	T1	
44	35	30	37	50	Ø 10	Ø 20	6	0.5	



Sprocket Dimensions						Unit: mm
No. Teeth	PD	S	D	H	K	
44	70	19	20	17.5	6X6	