

CONVEYOR GUIDE CO.,LTD.

บริษัท คอนเวเยอร์ ไกด์ จำกัด

HS-900A Technical Data Sheet

www.conveyorguide.co.th

Pitch: 50.8mm Minimum Width: 150mm Open Area: 0% Approved: FDA Rod: Ø 6mm Flight: Yes Side Guard: Yes Curve: No	
--	--

Data

Belt Material	Belt Strength Kg/M (BW)		Temperature		Belt Weight (Kg/M ²)
	Straight	Curve	°C (min.)	°C (max.)	
Polypropylene	2745	--	1	100	6.6
Polyethylene	2610	--	-60	60	7.4
Acetal	3090	--	-40	80	9.5
Nylon	2400	--	1	180	8.5

BW – Belt Width

Color Table

Polypropylene					Polyethylene					Acetal					Nylon				
W	G	N	DB	B	W	G	N	DB	B	W	G	N	DB	B	W	G	N	DB	B
●	●																		

W-White, G-Gray, N-Nature, DB-Dark brown, B-Blue

Friction Table

Belt Material	Friction Wear strips & Products							
	UHMW	HDPE	Steel	Glass	SUS	Plastic	Cardboard	Aluminum
Polypropylene	0.32	0.24	0.15	0.09	0.13	0.08	0.15	0.25
Polyethylene.	0.13	0.11	0.26	0.19	0.31	0.16	0.21	0.41
Acetal	0.11	0.09	0.27	0.16	0.26	0.15	0.19	0.28
Nylon	0.18	0.13	0.25	0.16	0.26	0.16	0.19	0.27

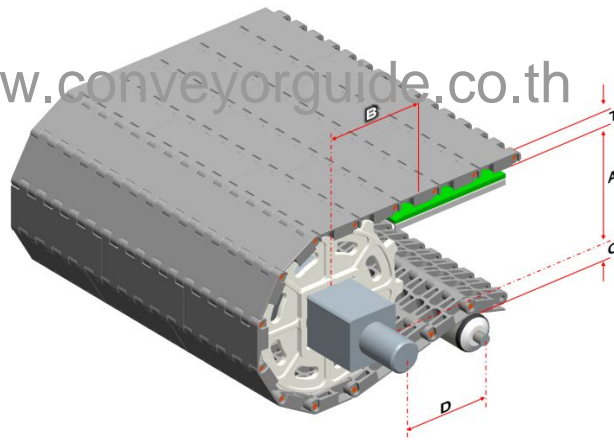
SUS – Stainless Steel

Equivalent type with other Brand

Brand Name	Intralox	UNI	Rexnord	MCC	Easecon	Habasit	KVP	Regina
Series & Type	400	OPB	2000	2000	100	5000	620	
	200	L-SNB	6390			5100	620ST	
	800/850	MPB	2010				620IB	
							620ST	

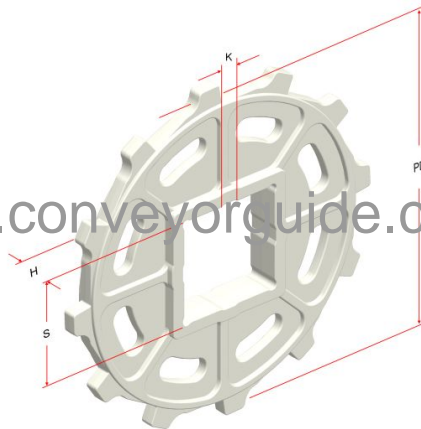
The above content is only for reference.

www.conveyorguide.co.th



Conveyor Frame Dimensions					Unit : mm
No. Teeth	A (Min.)	B (Min.)	C (Max.)	D (Min.)	T
6	39	58	50	250	14
9	65.5	60	75	250	
12	90	65	100	300	

www.conveyorguide.co.th



Sprocket Dimensions					Unit: mm
No. Teeth	PD	S	D	H	K
6	101.5	38.5	--	20	7X7
9	148.5	38.5*	--	12	8X8
12	196	60.5	--	12	--

S *--double rows square bore of sprocket is 40.5X40.5 mm.