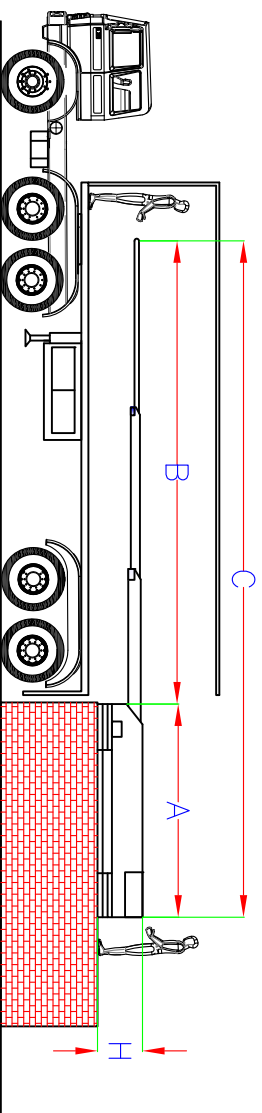
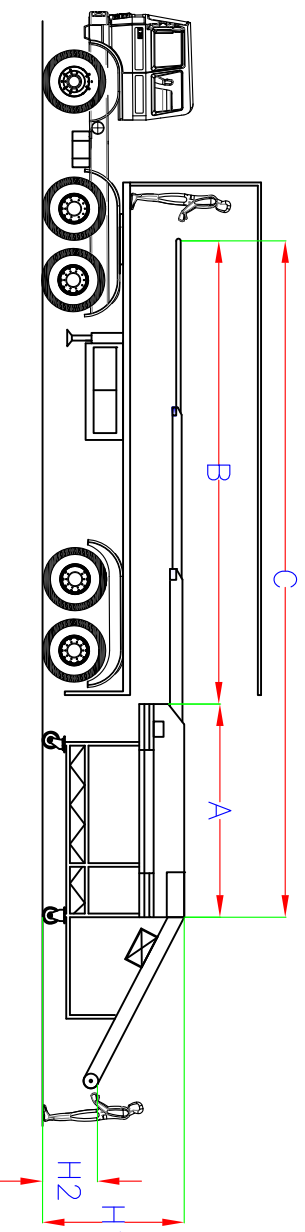


# TELESCOPIC BELT CONVEYOR BY CONVEYOR GUIDE

Working Ground Type



Supporting Feet Type



No.	Model		Section Qty (Unit)	A (m.)	B (m.)	C (m.)	H (m.)	H1 (m.)	H2 (m.)	Belt Width (mm.)	Normal Speed (m/sec.)
	Working Ground Type	Supporting Feet Type									
1	CG 23W	CG 23S	2	5	3	8	0.7	1.4-1.8	0.7	600/800	0.5
2	CG 24W	CG 24S	2	6	4	10	0.7	1.4-1.8	0.7	600/800	0.5
3	CG 35W	CG 35S	3	4	5	9	0.75	1.4-1.8	0.7	600/800	0.5
4	CG 365W	CG 365S	3	5	6.5	11.5	0.75	1.4-1.8	0.7	600/800	0.5
5	CG 375W	CG 375S	3	6	7.5	13.5	0.75	1.4-1.8	0.7	600/800	0.5
6	CG 410W	CG 410S	4	5.5	10	15.5	1	1.4-1.8	0.7	600/800	0.5
7	CG 411W	CG 411S	4	6	11	17	1	1.4-1.8	0.7	600/800	0.5
8	CG 412W	CG 412S	4	6.7	12	18.7	1	1.4-1.8	0.7	600/800	0.5
9	CG 414W	CG 414S	4	7.8	14	21.8	1	1.4-1.8	0.7	600/800	0.5
10	CG 415W	CG 415S	4	8.5	15	23.5	1	1.4-1.8	0.7	600/800	0.5
11	CG 512W	CG 512S	5	5	12	17	1.2	1.4-1.8	0.7	600/800	0.5
12	CG 514W	CG 514S	5	6	14	20	1.2	1.4-1.8	0.7	600/800	0.5
13	CG 516W	CG 516S	5	6.7	16	22.7	1.2	1.4-1.8	0.7	600/800	0.5